

IP68

LED Underwater Lights

Description

Inductive load supply technology

Suitable for pools, ponds & in ground water areas

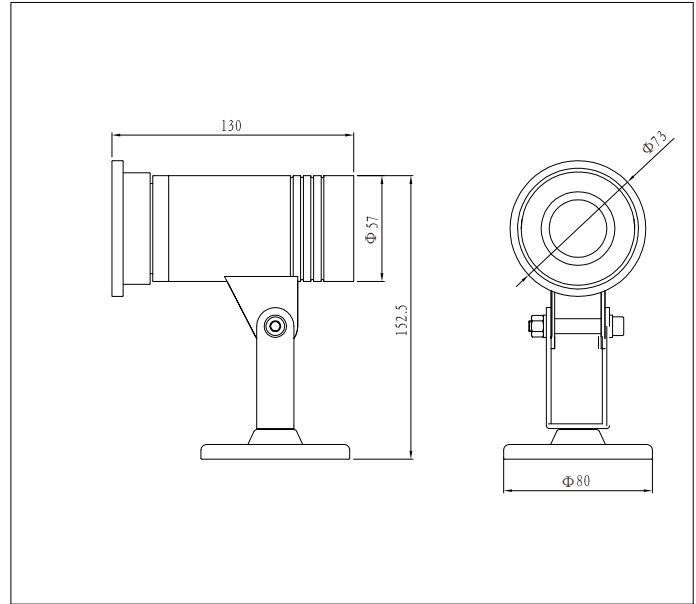
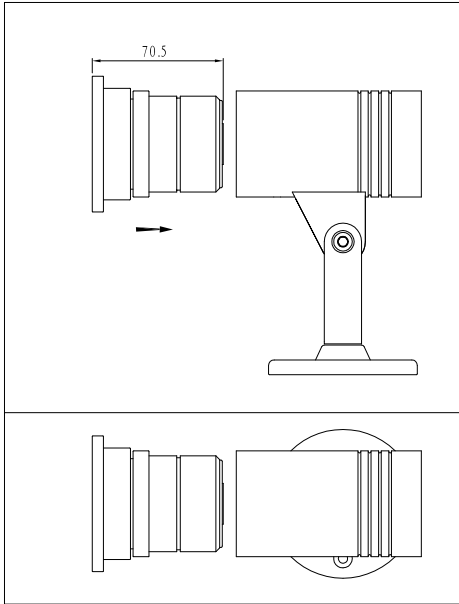
No hard wiring needed, just simply plug together



GS03

Specification GS03 Underwater Spot

Detail	Product Code	Type	RGB Colour Option
Model Name	GS03	3W	Red, Yellow, Blue, Green, Violet
Power Consumption		3W	
Correlated Colour Temp		3K, 4K, 5K	RGB Colours Available
Luminous Flux		255 lm	
Luminous Efficacy		85 lm	
Colour Rendering		80Ra	
Beam angles		15°, 40°	
LED Chip Type		Cree XPE / Seoul	
Input Voltage		Mains 198v-277v	Underwater Lighting
Input Voltage options		24V	Underwater Lighting
Power Factor		0.85 above	
Frequency		50-60Hz	
Temp Range		-20° to +45°	
Driver Type		Constant Voltage	
Housing type		ABS / Stainless Steel R316L	
IP Rating		IP68	
Mounting Position		Under Water	
Life Time		50,000Hrs	
Cable size		2x0.75mm Silicone	
Water Depth		5 Meters max	
Warranty period		3 Years	



Ordering Information

Model No.	LED Wattage	Input Power Supply	Colour Type W/R/Y/B/G	Colour Temp.
GS03	3W	A / 198-277V	W = White	A = K3000
		B / 24V	R = Red	B = K4000
			Y = Yellow	C = K5000
			B = Blue	
			G = Green	

Parts List

Replacement Lamp

Model Type: GS03 L3 3W CW or R/G/B/Y